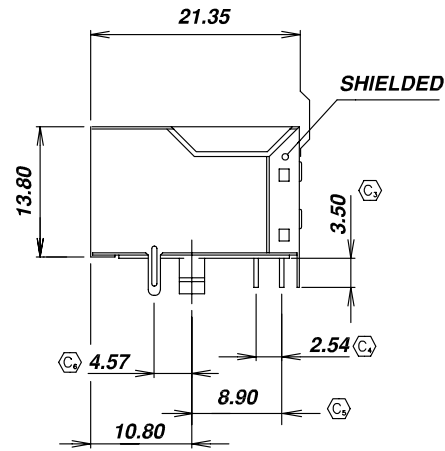
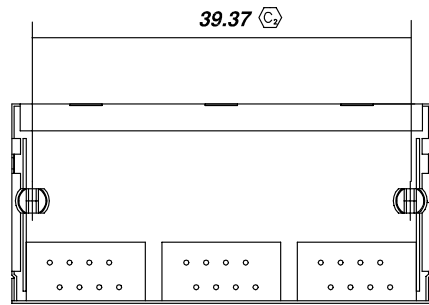
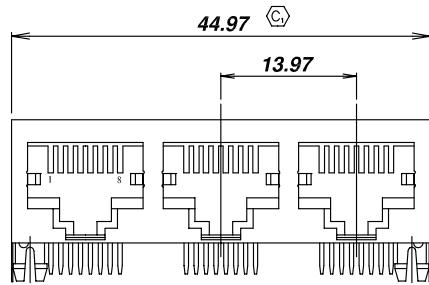


REVISION A



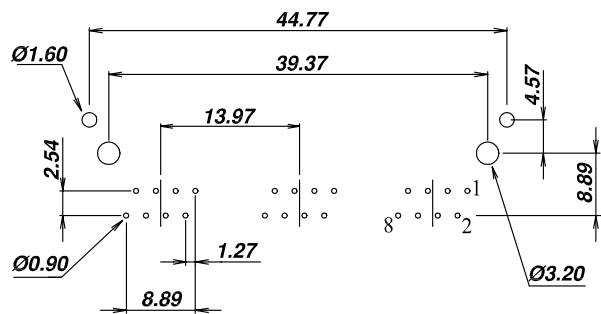
MODM-A-03-8P8C-X-S

TYPE	-A-
PORTS	-03
POSITIONS/CONTACTS	-8P8C: 8 Pos/8 Con
PLATING	-L: .000015" Au -S: .000030" Au -E: .000050" Au
SHIELD	-S


NOTES:

1. (C) REPRESENTS A CRITICAL DIMENSION
2. GOLD PLATING ON MATING AREA, TIN-LEAD ON TAILS

DO NOT SCALE
FROM THIS PRINT



PCB LAYOUT

UNLESS OTHERWISE SPECIFIED, DIMENSIONS ARE IN MM. TOLERANCES ARE: DECIMALS ANGLES X.XX±0.25 ±3 X.XXX±0.13 X.XXXX±0.05	PROPRIETARY NOTE THIS DOCUMENT CONTAINS INFORMATION CONFIDENTIAL AND PROPRIETARY TO SAMTEC INC. AND SHALL NOT BE REPRODUCED OR TRANSFERRED TO OTHER DOCUMENTS OR DISCLOSED TO OTHERS OR USED FOR ANY PURPOSE OTHER THAN THAT FOR WHICH IT WAS OBTAINED WITHOUT THE EXPRESSED WRITTEN CONSENT OF SAMTEC INC.	 520 PARK EAST BLVD. NEW ALBANY, IN 47150 (812) 944-6733 P.O. BOX 1147 TWX: 810-540-4085	CODE: 55322